



PRO-XL
Scent Diffuser
User Manual &
Installation Guide

291 LAKE AVENUE, ST. JAMES, NEW YORK 11780

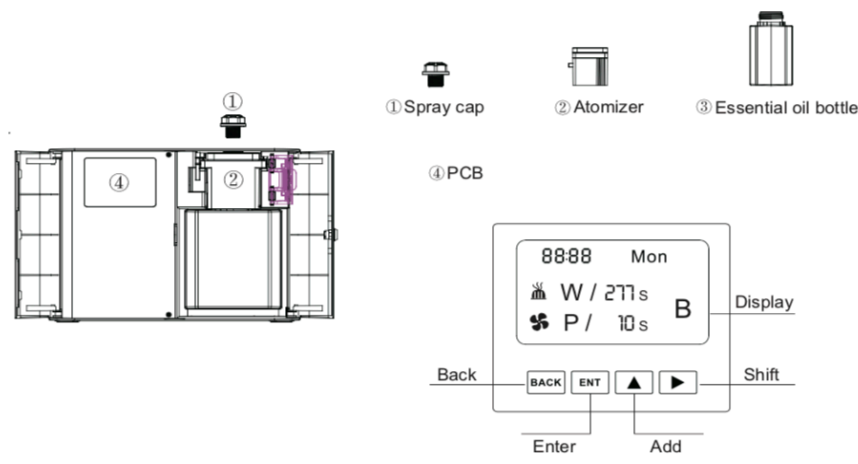
P: 631-881-4244 C: 914-643-1273

INFO@SCENTEDINTERIORSBYDESIGN.COM

SCENTEDINTERIORSBYDESIGN.COM

FEATURES:

- State-of-the-art cold-air diffusion ensures even scent distribution
- Patented nozzle guarantees the best atomization possible to ensure that scent mist will not leave any residue
- Custom scent concentration levels to accommodate approximately 70,000 cubic feet
- Built-in timer allows you to automatically set the time the unit will turn on and off



SAFETY:

The following basic safety precautions should always be observed.

Warning: Fire hazard. Can cause electrical shock or other injury if mishandled, including property damage. In cases of severe weather conditions, unplug your device immediately.

- Ensure wire is in optimal condition
- Make sure that diffuser is on an even and stable surface
- Keep away from any open heat sources

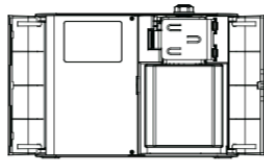
Note: Our oils are specifically designed to work with each of our scent diffusing systems. Use of any oils other than those made by Scented

Interiors By Design may damage the machine and will void the one-year warranty.

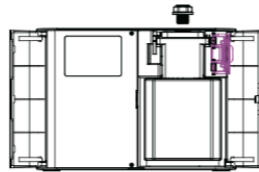
SETTING UP YOUR DIFFUSER:

1. Find the ideal location for your diffuser. Make certain that there is an electrical outlet in the location.
2. Unscrew the cap at the top of the unit, unlock the door of the unit with the provided key, and pull out the provided bottle.
3. Replace the empty bottle with your Scented Interiors By Design fragrance oil bottle and push bottle back into its original place.
Note: Keep the empty bottle for future cleanings

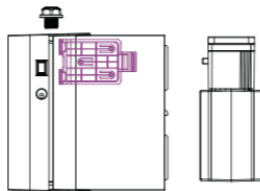
FRAGRANCE BOTTLE INSTALLATION:



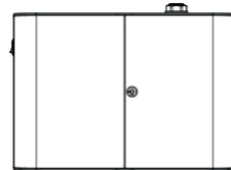
1. Open the equipment hatch cover



2. Unscrew the atomizing cap to open the bottle's lock.



3. Take out essential oil bottle



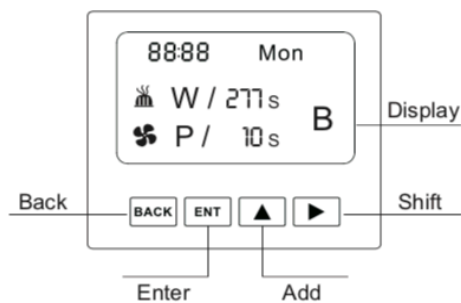
4. Lock the equipment hatch cover

PROGRAMMING YOUR DIFFUSER:

- ◆ Connect the adapter to the unit and power source

Diffuser will power on when it connects to the adapter and can also be powered on and off by holding down the ENT key or using the on/off switch on the side of the diffuser.

The LCD screen will turn off after 1 minute of inactivity; unit will still continue to operate as programmed. Press any key to light the screen.



LOCAL TIME AND DATE SETTING:

- ◆ Press the RIGHT arrow key twice to enter the local time interface
- ◆ Press the ENT key, the hour will be flashing. Press the UP arrow and the RIGHT arrow keys at the same time to set the hour, minute, year, month and day.
- ◆ Press the ENT key to save and finish the setting

DIFFUSER WORKING PERIOD AND CONCENTRATION LEVEL SETTING:

- The diffuser operates on Military time with the hours of 0-24.
- Up to two programs can be set daily, if necessary
- ◆ While the machine is operating, press the RIGHT arrow key once
- ◆ Press the ENT key

- ◆ When the 'day' flashes, press the UP arrow key to change the preferred day
- ◆ Press RIGHT arrow key to move the cursor, then set start time (W), press UP arrow key to change flashing hour or minute, press RIGHT arrow key to move to next placement. Once the start (W) time is set, continue pressing the RIGHT arrow key to set the end time (T).
- *NOTE: The RIGHT arrow key will move the cursor to the setting, the UP arrow key will set the desired time.
- ◆ Press the RIGHT arrow key to move the cursor to the misting schedule. Set the desired misting working time (W) and desired pause time (P). We would suggest 60-100 seconds misting (W) and 120 - 210 seconds pause (P).
- ◆ Press the RIGHT arrow key until the screen shows a number 2 to the left of the misting level. This represents the second program of the day.
- ◆ Follow the same steps as the first program. The RIGHT arrow key moves the cursor to the next placement, and the UP arrow key moves the cursor to select the desired number.
- ◆ If only one program is needed for the day, set program 1 only.
- ◆ After you have finished setting the desired program (s), press the ENT key to save the settings.

NOTE: If all of the programs from Monday-Sunday are the same, you need only set the programs for Monday, and the following days will automatically be set as such.

- ◆ If the programs are different for each day, you will need to set the daily programs individually by repeating the above steps for each day that is different.

MAINTENANCE:

Cleaning should be done regularly after every 6 months, or when changing the scent, to remove oil build up.

1. Using the empty bottle, fill with standard rubbing alcohol, secure bottle in diffuser
2. Allow the diffuser to work 10 minutes with the rubbing alcohol

Make certain the unit is unplugged before cleaning the interior

Clean the nozzle, sprayer tube and connector using rubbing alcohol. Do not use any corrosive products, detergents or thinners to clean your diffuser. These products can harm the unit, particularly the plastic parts which are susceptible to corrosion.

Do not use any oils other than Scented Interiors by Design Ltd. oils. Using other products may damage the unit and will void the warranty.

Please Visit Our Website For A Full Listing Of Our Scent Systems And
Custom Fragrance Collection

SCENTEDINTERIORSBYDESIGN.COM



SCENT DIFFUSER HVAC INSTALLATION GUIDE

An electrical outlet is required to operate this machine and needs to be in the area where the air handler and duct are located.

HVAC fan must be kept in the 'on' position to maintain flow of scent while the diffuser is running. Otherwise, oil will back up and may flood the diffuser.

- ◆ Find the best place to tap HVAC ductwork (diffuser location).
- ◆ Make sure you tap the main duct, past the air handler.
- ◆ If you only want to scent a portion of the area that the air handler covers, find the branch in the duct that covers your target area to install the diffuser.
- ◆ Drill a ¼" hole in the duct at the tap point
- ◆ Insert hose 2-3" into the duct. Use foil tape to secure hose in place
- ◆ Close insulation around hose and use foil tape to seal insulation and hose in place
- ◆ Replace diffuser cap with HVAC connecting nozzle; connect other end of hose to nozzle at top of diffuser
- ◆ Make certain that the unit is plugged in and programmed as desired

291 LAKE AVENUE, ST. JAMES, NEW YORK 11780

P: 631-881-4244 C: 914-643-1273

INFO@SCENTEDINTERIORSBYDESIGN.COM

SCENTEDINTERIORSBYDESIGN.COM
